

# T-PAK 550-3 HIGH SPEED BAG SEALING SYSTEM

**OK**  
oksealer.com



The T-PAK 550-3 Bag Compression and Sealing System is a high quality system for increasing bag handling and sealing output. The combination of a heavy duty conveyor system with a full width compression belt and a hot air or band Supersealer platform, makes this an unchallenged heat sealing system for many applications, superior in performance and speed with low maintenance cost. Our satisfied customers include the poultry, meat and textile industries.

[OKSEALER.COM](http://OKSEALER.COM)



### TECHNICAL SPECIFICATIONS T-PAK 550-3:

Bag size range:	All bag sizes
Standard features:	Product placement on the main conveyor is aided by a guide and bag top guide
Finish:	Powder coating standard, stainless steel optional
Speed:	Variable to match Supersealer
Machine handling:	Right to left or left to right
Electric:	110 VAC, 1 Ph, 60 Hz, 20 Amp or 220 VAC, 1 Ph, 50 Hz, 10 Amp or to requirement CE components
Pneumatic:	Not required for standard configuration Required for optional jet flow trim remover
Belt length:	10' or 3 meters. Other sizes on request
Belt width:	16" /406mm or 18" /457mm. Other sizes on request

**T-PAK 550 WASHDOWN SUPERSEALER**  
 combined with main conveyor & compression conveyor, optional SST bag top trimmer & trim remover.

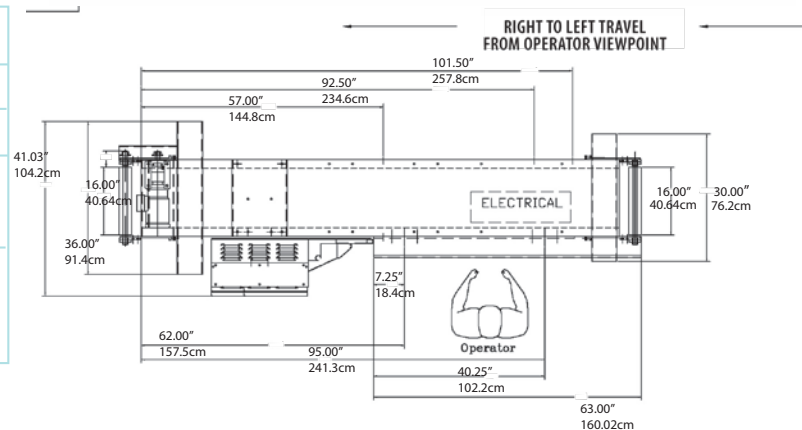
**T-PAK 750 WITH SUPERSEALER**

Combined with SST bag top trimmer, 3" jet flow trim remover, angled bed conveyor with 3" back belt.

### FEATURES:

### BENEFITS:

Supersealer bag sealer:	Superior performance for many years
Automatic bag presentation:	Optimum seal quality and aesthetics
Full compression belt:	Removes excess air from the bags
Modular design with individual frames on wheels:	Mobility and easy access for maintenance
Stainless steel construction optional:	Ideal for use in food processing plants and harsh environments



### T-PAK 550-3 OPTIONS:

- Bag top trimmers and trim removers
- T-Pak in-feed
- Ink jet printers
- Automatic bag loaders
- Motorized pedestal

OK International Europe Ltd.  
 OK House  
 Shepherds Grove Industrial Estate West  
 Stanton, Suffolk, IP 31 2AR  
 England  
 44-1359-250705  
 44-1359-250165  
 sales@okiuk.com



OK International Corporation  
 73 Bartlett Street  
 Marlborough, MA 01752  
 USA  
 1-508-303-8286  
 1-508-303-8207  
 sales@oksealer.com